

## BYB Series Large Diameter Butterfly Valves

14" TO 24" PVC, CPVC, PP AND PVDF

### KEY FEATURES

- PVC, CPVC, PP and PVDF Bodies
- CPVC, PP and PVDF Discs
- Heavy Duty Gear Operator
- 410 Grade Stainless Steel Stem
- Choice of FPM, EPDM or Nitrile Liners

### OPTIONS

- Pneumatic or Electric Actuators
- Stem Extensions

### MATERIALS

- PVC Cell Class 12454 per ASTM D1784
- CPVC Cell Class 23447 per ASTM D1784
- PP per ASTM D4101
- PVDF
- FPM and EPDM Liners



## TECHNICAL INFORMATION

### SELECTION CHART

SIZE	BODY MATERIAL	DISC MATERIAL	LINER MATERIAL	PRESSURE RATING
14" – 16" (DN350 – DN400)				86 PSI @ 70°F Non-Shock
18" (DN450)	PVC, CPVC, PP or PVDF	CPVC, PP or PVDF	FPM, EPDM or Nitrile	72 PSI @ 70°F Non-Shock
20" – 24" (DN500 – DN600)				51 PSI @ 70°F Non-Shock

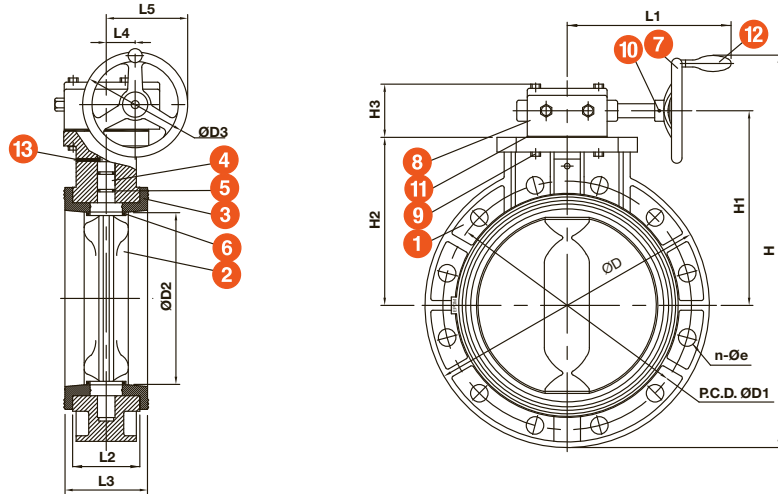
# BYB Series Large Diameter Butterfly Valves

14" TO 24" PVC, CPVC, PP AND PVDF

## TECHNICAL INFORMATION, CONTINUED

### PARTS LIST

- |                |                  |
|----------------|------------------|
| 1. Body        | 8. Gear Box      |
| 2. Disc        | 9. Bolt & Washer |
| 3. Seat Seal   | 10. Spring Pin   |
| 4. Stem        | 11. Packing      |
| 5. Stem O-Ring | 12. Small Handle |
| 6. Disc O-Ring | 13. Pin          |
| 7. Handwheel   |                  |

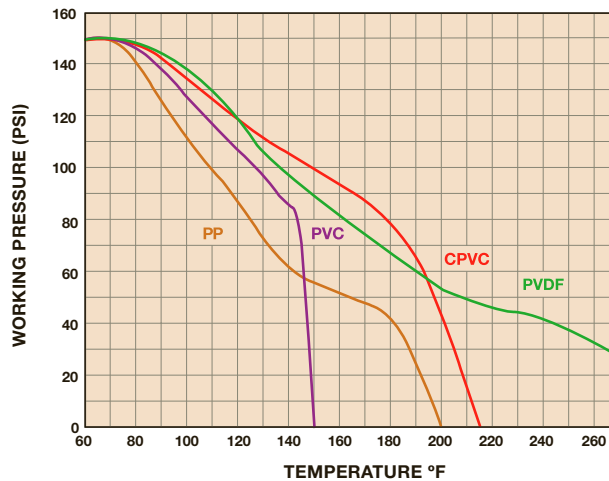


### DIMENSIONS

SIZE in/DN	n-Øe	D in/mm	D1 in/mm	D2 in/mm	D3 in/mm	H in/mm	H1 in/mm	H2 in/mm	H3 in/mm	L1 in/mm	L2 in/mm	L3 in/mm	L4 in/mm	L5 in/mm
14/350	12-29	20.87/530	18.74/476	14.17/360	9.84/250	28.82/732	13.46/342	11.81/300	3.07/78	12.99/330	4.45/113	5.00/127	2.36/60	7.28/185
16/400	16-29	23.62/560	21.26/540	15.65/398	11.81/300	34.21/869	16.73/425	13.78/350	4.72/120	13.90/353	6.00/152	6.57/167	3.19/81	9.09/231
18/450	16-32	24.80/630	22.76/578	17.81/452	11.81/300	35.83/910	17.52/445	14.57/370	4.61/117	13.90/353	6.44/164	7.05/179	3.19/81	9.09/231
20/500	20-32	27.40/696	25.00/635	19.76/502	15.98/406	40.83/1037	19.13/486	16.14/410	5.63/143	15.35/390	6.69/170	7.44/189	4.72/120	12.72/323
24/600	20-35	32.01/813	29.80/757	23.74/603	15.98/406	44.00/1118	20.20/513	18.31/465	5.24/133	13.78/350	7.52/191	8.27/210	5.31/135	13.18/335

Dimensions are subject to change without notice – consult factory for installation information

### OPERATING TEMPERATURE/PRESSURE



Hayward is a registered trademark of Hayward Industries, Inc. © 2015 Hayward Industries, Inc.

Contact Hayward Flow Control with questions: **USA:** 1-888-429-4635 • Fax: 1-888-778-8410 • One Hayward Industrial Drive • Clemmons, NC 27012 USA  
**Canada:** 1.888.238.7665 • Fax: 1.905.829.3636 • 2880 Plymouth Drive • Oakville, ON L6H 5R4 Canada • Email: hflowcanada@haywardnet.com  
 Visit us at: www.haywardflowcontrol.com • E-mail: hflow@haywardnet.com